






Made-to-order sudare
for commercial and
residential spaces

Product Specifications

SHIKISAI

03

**JAPANESE
SUDARE
COLLECTION
SHIKADA**

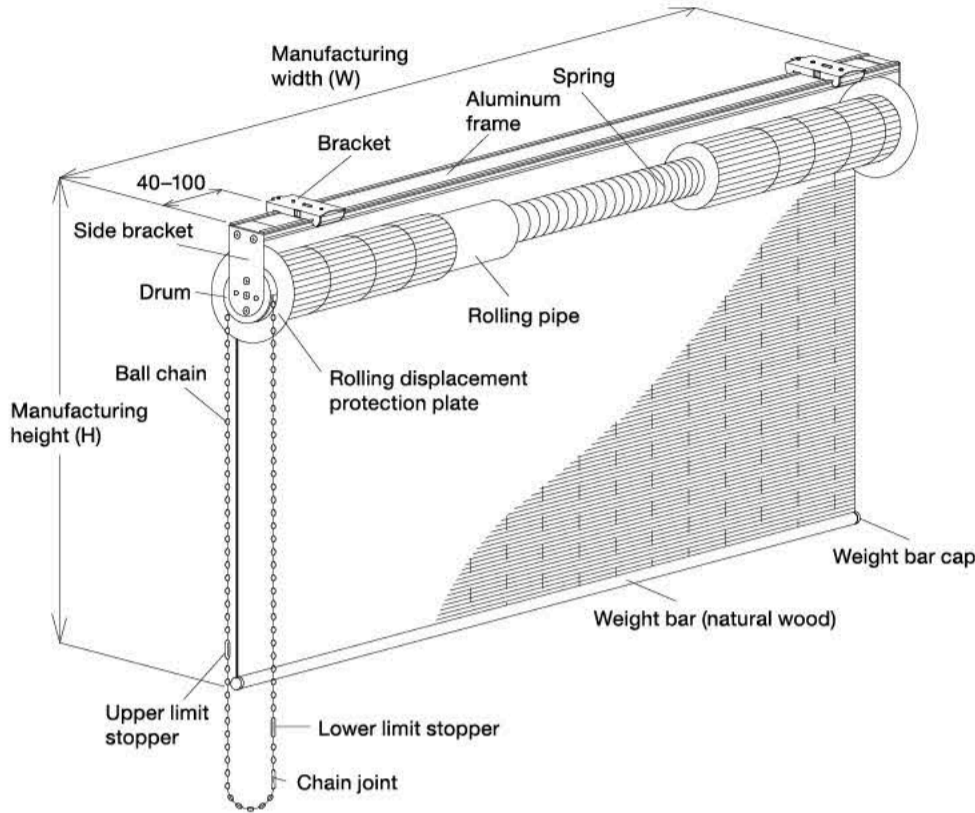
01	CRS		Chain-type rolling screen	
03	KC		Chain-type Roman shade	
05	MRU	YRU		Cord-type roll-up sudare
07	SS	YSS		Fixed-type sudare tapestry
09	TX		Texture	
10	Maintenance and Caution			
11	Material-Request FAX Sheet			

 Shikada

Printed in January 2020



Features and structures

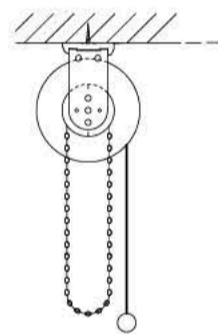


Features

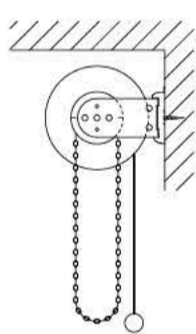
- A rolling sudare screen operated by a ball chain. As the user can operate the ball chain standing, it is good for floor-level windows and partitions.
- Rolling displacement protection plates come as standard, which prevent uneven rolling of texture and allow smooth operations.
- The mechanism is small, lightweight and supported with an aluminum frame. The sudare can be installed on a ceiling or a wall in a single step with the bracket.
- The upper and lower limit of rolling up and down the screen can be set freely with the upper limit and lower limit stoppers.
- When multiple sudare screens are installed side-by-side, the gap between the adjacent sudare screens can be kept to a minimum.
- The ball chain can be set either on the right or left side at the time of shipment (the diagram shows the ball chain installed on the left side).

Choose the direction

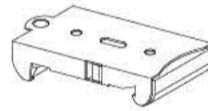
Top



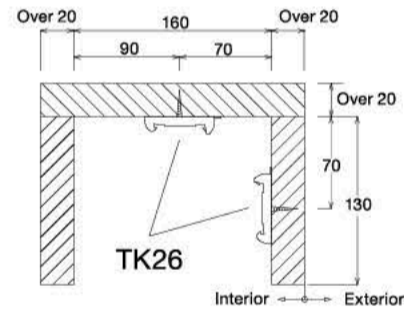
Face



Bracket for top and face installation (TK26)



Size for curtain-box installation



Decide the dimensions

Maximum dimensions: Manufacturing width of 2,400 mm (2,000 mm for 453 and 454), manufacturing height of 2,500 mm.

Order sizes in 10 mm increments.

Top

Item	Size
Manufacturing width (W)	Inner window frame size -10 mm
Manufacturing height (H)	Inner window frame size *

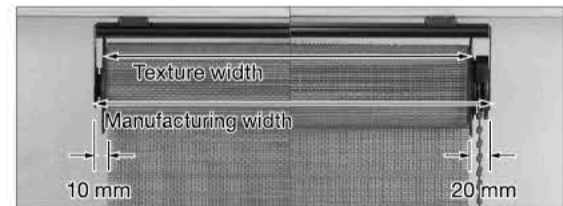
* Can be adjusted by 50-100 mm, using the upper and lower limit stoppers.

Face

Item	Size
Manufacturing width (W)	Inner window frame size +0-10 mm
Manufacturing height(H)	Inner window frame size *

* Can be adjusted by 50-100 mm, using the upper and lower limit stoppers.

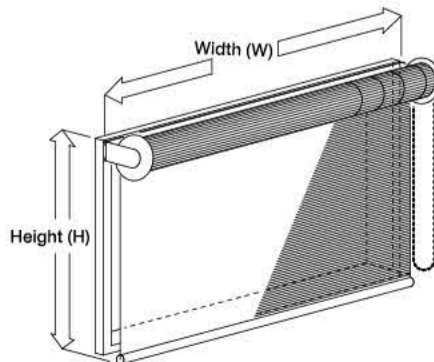
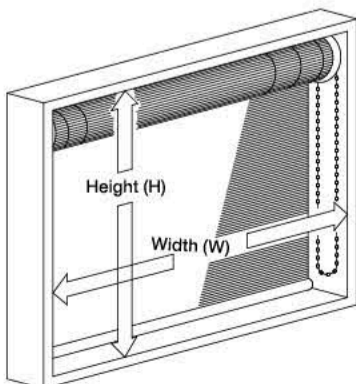
(FYI) Manufacturing width and texture width



Texture width = manufacturing width -30 mm

Gap on the chain side	20 mm
Gap on the side with no chain	10 mm

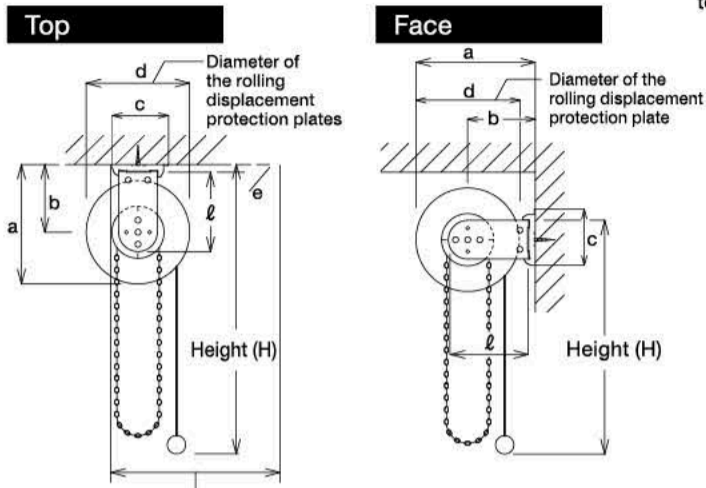
If two or more sudare screens are to be installed, the gap between adjacent texture will be 20 mm.



Product specifications

Size of the rolling displacement protection plates and other components

The diameter (d) of the rolling displacement protection plates comes in 3 sizes, as the diameter of the rolled-up screen vary depending on the manufacturing height and texture thickness of the sudare screen. Also, please check and make sure that there is enough space for the depth from the bracket to the wall and that the rolled-up screen does not protrude too much from the attached surface.



The depth from the edge of the top bracket to the wall needs to be at least 80 mm.

Reference No 450, 455, 456, 465, 466, 467, 491, 492				
Manufacturing height	d	ℓ	a	b
Up to 1300	85	73	95.5	59
Up to 1800	95	78	103	64
Up to 2500	107	84	123.5	70

Reference No 480, 481				
Manufacturing height	d	ℓ	a	b
Up to 1700	85	73	95.5	59
Up to 2200	95	78	103	64
Up to 2500	107	84	123.5	70

Reference No 410, 415, 440, 441, 451, 452, 457, 458 461, 462, 463, 464, 482, 483, 485, 486, 487, 488				
Manufacturing height	d	ℓ	a	b
Up to 1500	85	73	95.5	59
Up to 2000	95	78	103	64
Up to 2500	107	84	123.5	70

Reference No 453, 454				
Manufacturing height	d	ℓ	a	b
Up to 2000	85	73	95.5	59
Up to 2500	95	78	103	64

Approximate product weight and rolled-up screen diameter

Width \ Height	900	1200	1500	1800	2000	2400	Rolled-up diameter
500	About 1.42kg	About 1.75kg	About 2.10kg	About 2.44kg	About 2.65kg	About 3.18kg	About ø56
1000	About 1.91kg	About 2.45kg	About 2.93kg	About 3.45kg	About 3.75kg	About 4.5kg	About ø70
1500	About 2.40kg	About 3.05kg	About 3.72kg	About 4.41kg	About 4.85kg	About 5.82kg	About ø82
2000	About 2.90kg	About 3.70kg	About 4.55kg	About 5.39kg	About 5.95kg	About 7.14kg	About ø92
2500	About 3.40kg	About 4.35kg	About 5.37kg	About 6.38kg	About 7.05kg	About 8.46kg	About ø100

* Average value of square meter/kg texture (refer to the list of specifications on page 21 of Shikisai 01 Sample Photo Collection) (Unit: mm)

Ball chain height

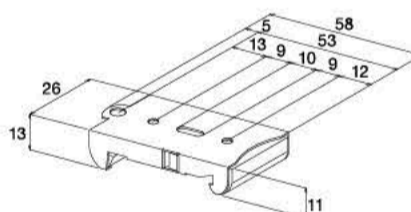
Product height	Chain height
500-2000	1500
2010-2500	2000
2510-3000	2500

(Unit: mm)

Screws and maximum load weight

The screws that come with the package are for installations on a wooden surface. The surface for the installation needs to have a minimum of 20 kg maximum load weight.

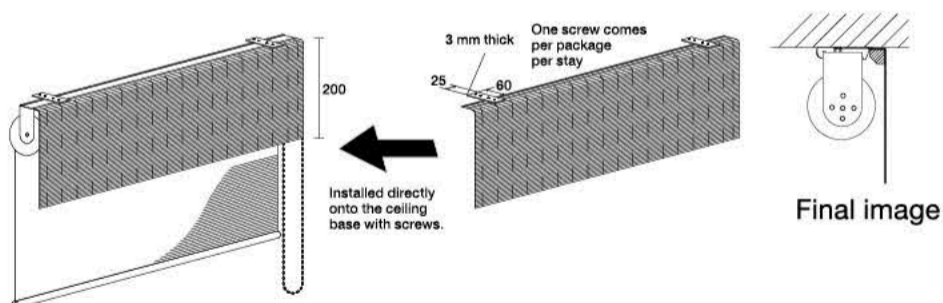
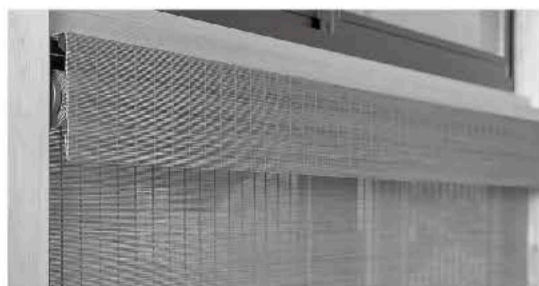
Bracket (TK26)



Product width (mm)	500-900	910-1500	1510-2000	2010-2400
Bracket (units per screen)	2	3	4	5
Screws (units per screen) ø3.5x20	4	6	8	10

Options

☉ Front decoration (balance) (top installations)



Standard width is 200 mm. Can be adjusted to 150 mm to 300 mm. Please include in the order if required.

How to order

How to fill out an order

☉ Download the order sheet from our website, and email it to us.

<https://shikada.co.jp/en/dl> intl@shikada.co.jp

Example ① CRS ② 410 (M1)* ③ 1800W ④ 2400H ⑤ Top ⑥ Right ⑦ 4pcs

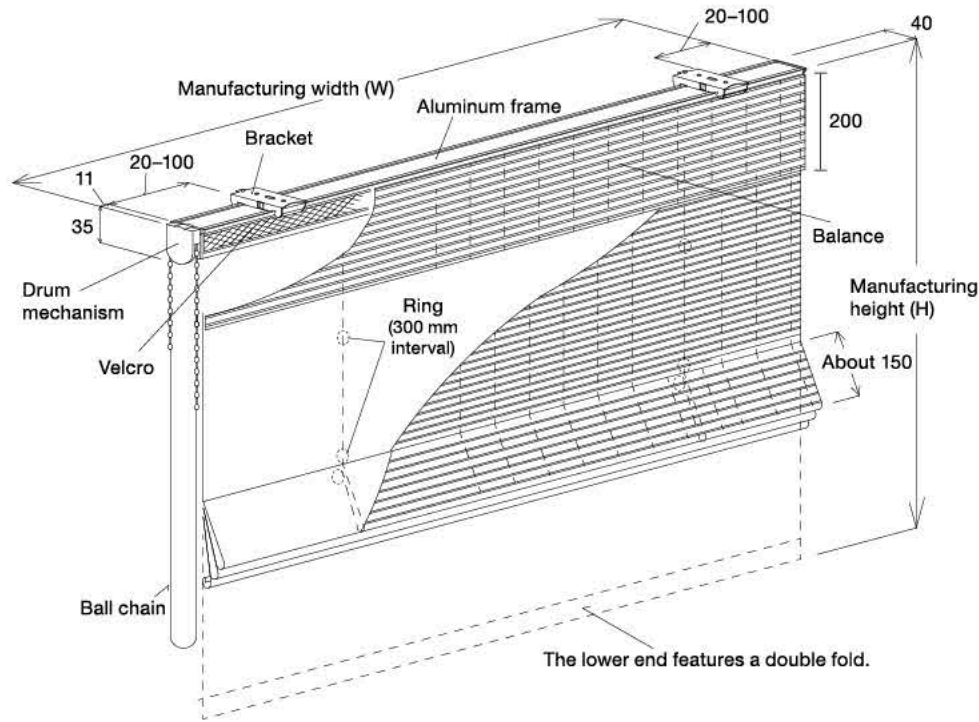
① Raising and lowering style ② Reference No ③ Manufacturing width (W) ④ Manufacturing height (H)
⑤ Direction ⑥ Ball chain ⑦ Units

*Enter (M1) after the "② Reference No," if fire protection property is required.



Chain-type Roman shade

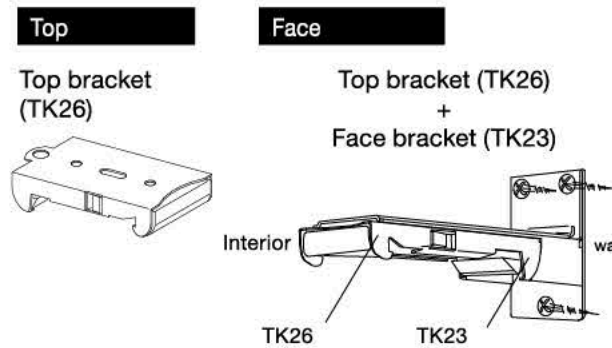
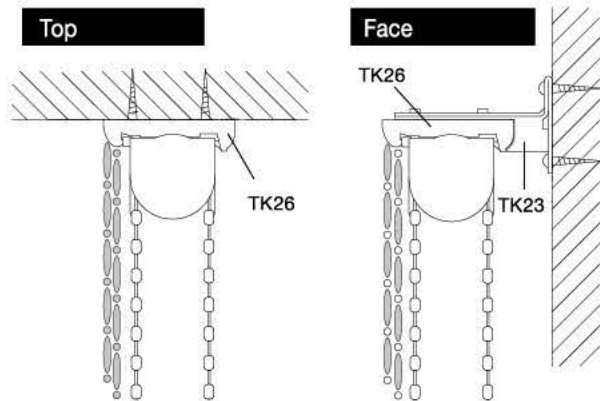
Features and structures



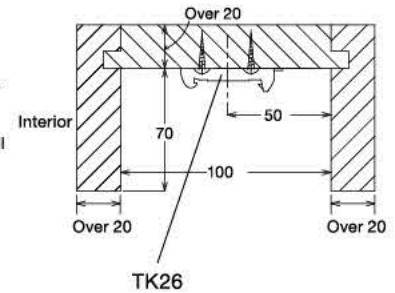
Features

- A Roman shade style sudare screen, operated with a ball chain.
- It has a built-in drum mechanism. The ball chain enables easy operation of the screen with little force.
- The mechanism is small, lightweight and supported with an aluminum frame. The sudare can be installed on a ceiling or a wall in a single step with the bracket.
- The balance comes with the package and adds a premium look.
- The ball chain can be set either on the right or left side at the time of shipment (the diagram shows the ball chain installed on the left side).

Choose the direction



Size for curtain-box installation



Decide the dimensions

Maximum dimensions: Manufacturing width of 2,400 mm (2,000 mm for 453 and 454), manufacturing height of 2,500 mm.

Order sizes in 10 mm increments.

Top	
Item	Size
Manufacturing width (W)	Inner window frame size -10 mm
Manufacturing height (H)	Inner window frame size -10 mm

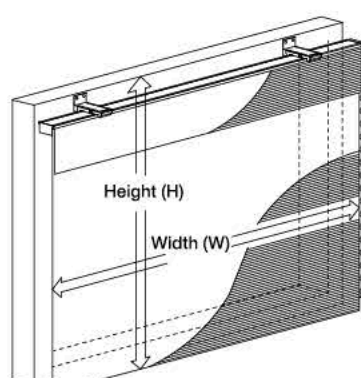
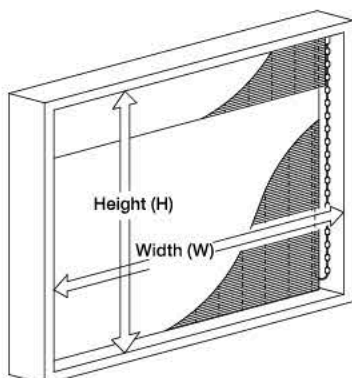
Face	
Item	Size
Manufacturing width (W)	Inner window frame size +10 mm
Manufacturing height (H)	Inner window frame size +10 mm

(FYI) Manufacturing width and texture width



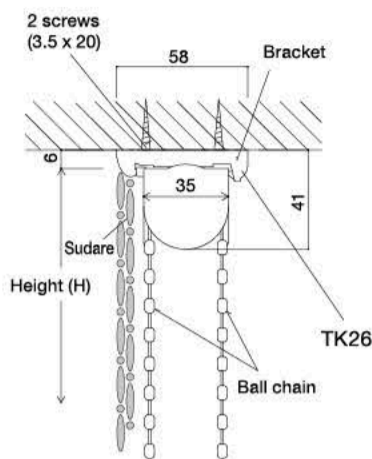
Texture width = manufacturing width -15 mm

Gap on the chain side	11 mm
Gap on the side with no chain	4 mm

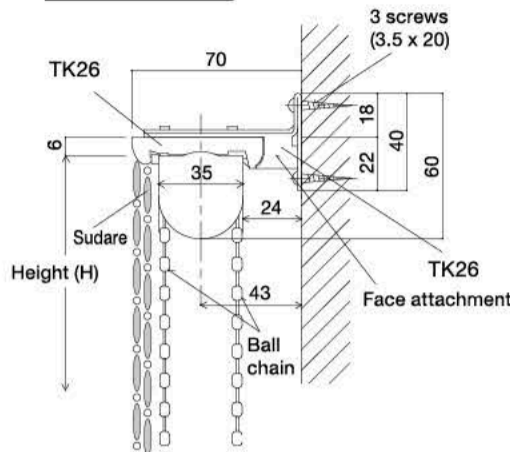


Product specifications

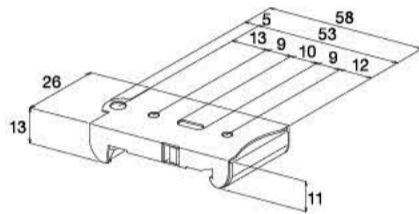
Top



Face

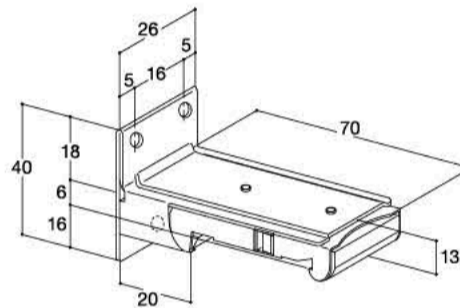


Top bracket (TK26)



Product width (mm)	500-900	910-1500	1510-2000	2010-2400
Bracket (units per screen)	2	3	4	5
Screws (units per screen) ø3.5x20	4	6	8	10

Face bracket (TK23)



Product width (mm)	500-900	910-1500	1510-2000	2010-2400
Bracket (units per screen)	2	3	4	5
Screws (units per screen)	6	9	12	15

Ball chain height

(Unit: mm)

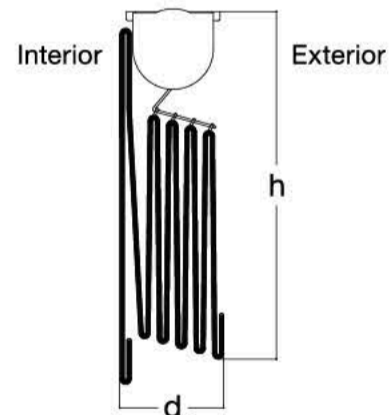
Product height	Chain height	Installation height
500-2000	1500	Up to 2200
2010-2500	2000	2210-2700
2510-3000	2500	2710-3200

Approximate stacked slat sizes

(Unit: mm)

Product height H	Stacked slat size d	Stacked slat size h
500	30-40	180
1000	40-50	185
1500	50-60	190
2000	60-70	195
2500	70-80	200

Average value of our materials
For texture 491 and 492, an additional 30% stacked slat size is required.



How to order

How to fill out an order

☉ Download the order sheet from our website, and email it to us.

<https://shikada.co.jp/en/dl> intl@shikada.co.jp

Example

① **KC** ② **410 (M1)*** ③ **1800W** ④ **2400H** ⑤ **Top** ⑥ **Right** ⑦ **4pcs**

① Raising and lowering style ② Reference No ③ Manufacturing width (W) ④ Manufacturing height (H)
⑤ Direction ⑥ Ball chain ⑦ Units

*Enter (M1) after the "② Reference No," if fire protection property is required.

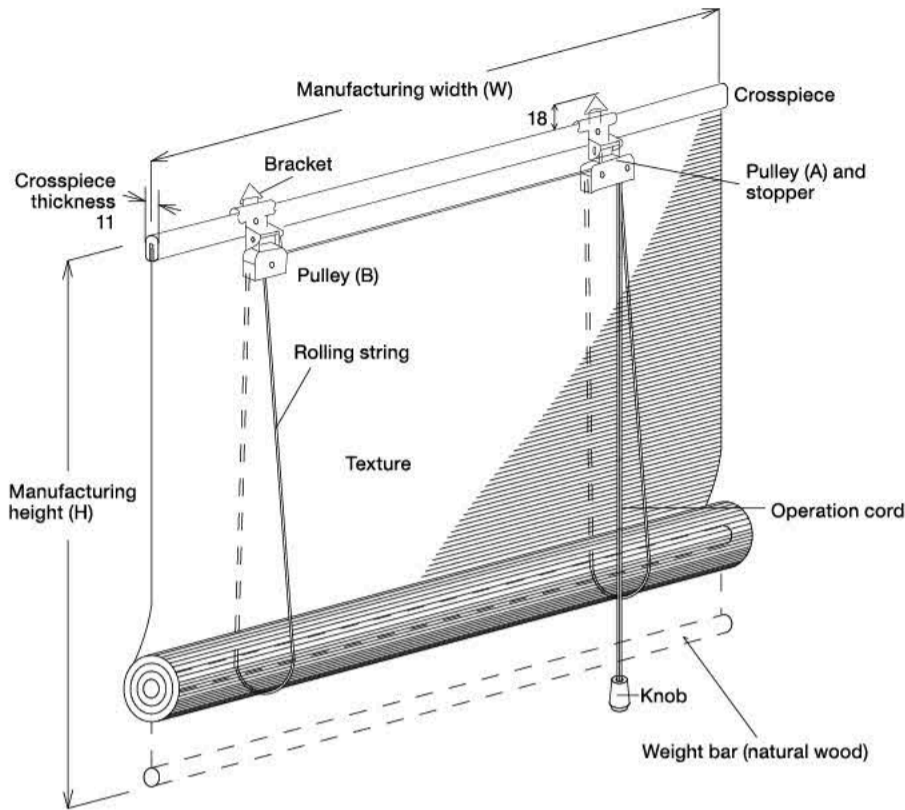


410-492 501-509



Cord-type roll-up sudare

Features and structures



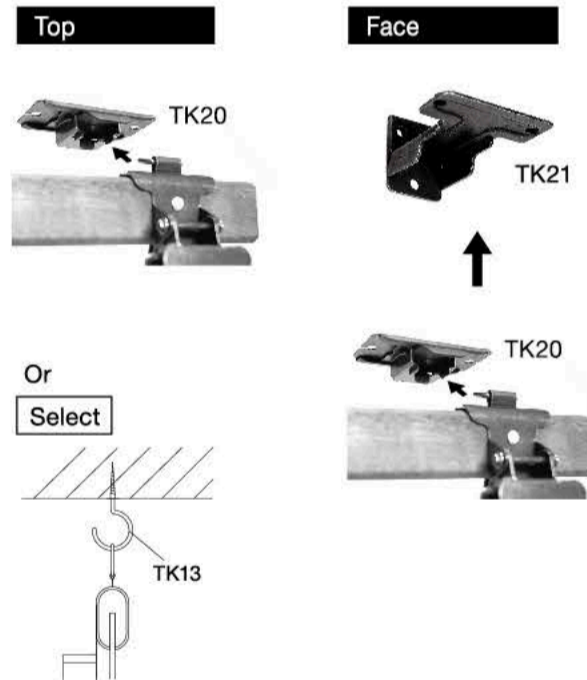
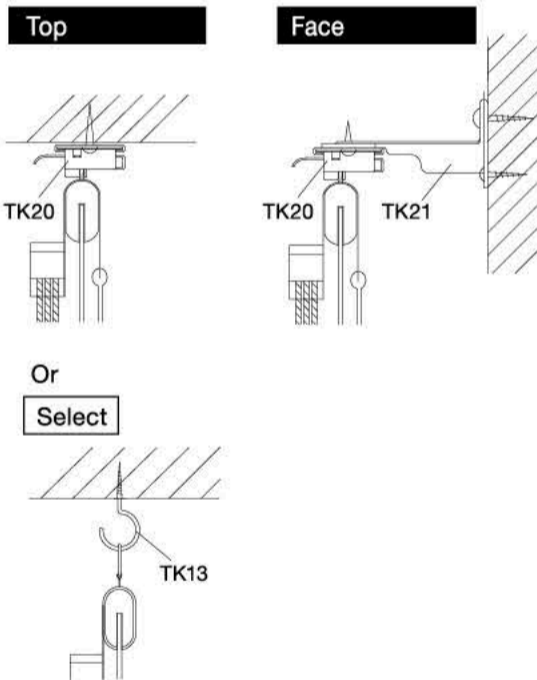
Features

- The rolling string linked to the operation cord rolls up the texture from the bottom.
- The operation cord can be set on the left or right side at the time of shipment (the diagram shows the cord installed on the right side)

YRU Specifications of upper and lower crosspieces (bamboo and wood) (combined with the cross-section diagram)

	Upper crosspiece: split bamboo crosspiece	Upper crosspiece: wooden oval crosspiece	Upper crosspiece: wooden oval crosspiece
	About 12	About 11	About 17
	About 25	About 24	About 27
A	Lower crosspiece (weight bar): split bamboo crosspiece	Lower crosspiece (weight bar): wooden oval crosspiece	Lower crosspiece (weight bar): wooden oval crosspiece
	About 9	About 11	About 17
	About 18	About 24	About 27
	501, 508, 509	504, 505	507

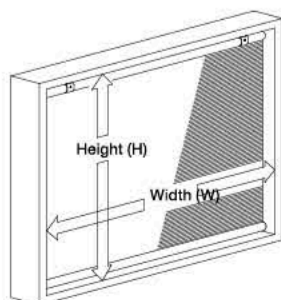
Choose the direction



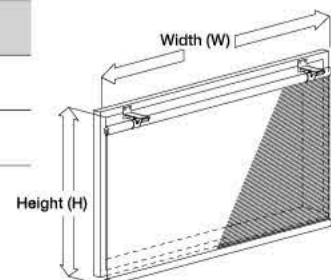
Decide the dimensions

Maximum dimensions: Manufacturing width of 2,400 mm, manufacturing height of 2,500 mm. Order sizes in 10 mm increments.

Top		
Mounting metal	Item	Size
TK20	Manufacturing width (W)	Inner window frame size -40 mm
	Manufacturing height (H)	Inner window frame size -20 mm
TK13	Manufacturing width (W)	Inner window frame size -40 mm
	Manufacturing height (H)	Inner window frame size -50 mm



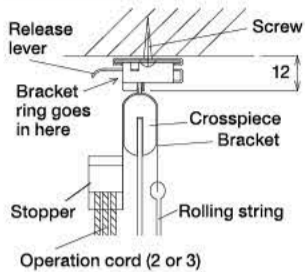
Face		
Mounting metal	Item	Size
TK20 + TK21	Manufacturing width (W)	Inner window frame size
	Manufacturing height (H)	Inner window frame size +20 mm



Product specifications

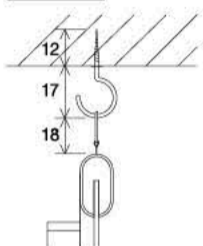
Top

Standard

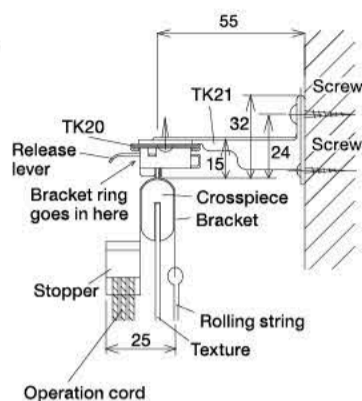


Select

Hook screw (TK13)

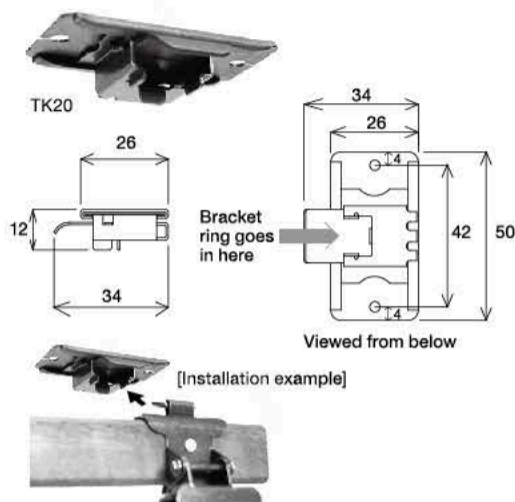


Face



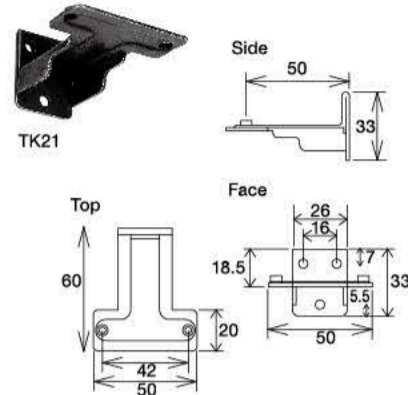
Top

Top bracket (TK20)



Face

Face bracket (TK21)



MRU Rolled-up screen diameter

(Unit: mm)

Product height H	Roll-up diameter d	Roll-up space h
1000	55-75	125-145
1500	65-85	140-160
2000	75-100	157-177
2500	85-110	175-195

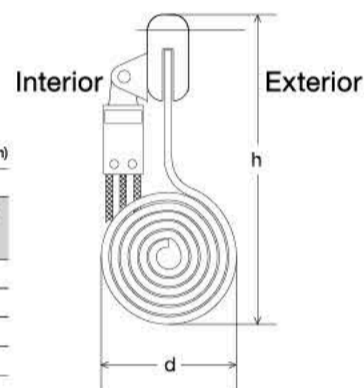
Average value of our materials

YRU Rolled-up screen diameter

(Unit: mm)

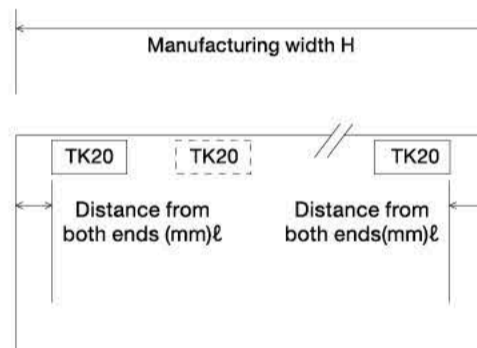
Material number	501		504/505		507		508		509	
Product height H	Roll-up diameter d	Roll-up space h	Roll-up diameter d	Roll-up space h	Roll-up diameter d	Roll-up space h	Roll-up diameter d	Roll-up space h	Roll-up diameter d	Roll-up space h
1000	110	180	55	130	80	150	75	150	110	185
1500	130	200	65	140	95	170	95	170	130	205
2000	150	220	75	150	110	185	110	190	150	225
2500	170	245	90	165	130	205	125	215	180	255

*Varies by screen



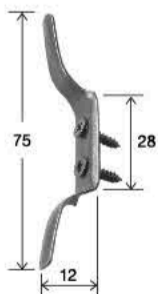
Quantity of mounting metals

Manufacturing width (mm) H	Distance from both ends (mm) ℓ								
	Up to 600	Up to 700	Up to 800	Up to 900	Up to 1000	Up to 1300	Up to 2000	Up to 2400	
Top installation (standard)	TK20	2				3		5	
Top installation (selected)	TK13	2				3		5	
Face installation	TK20	2				3		5	
	TK21	2				3		5	



Options

◎ Operation cord hook (TK14)



How to order

How to fill out an order

◎ Download the order sheet from our website, and email it to us.

<https://shikada.co.jp/en/dl> intl@shikada.co.jp

Example

① MRU ② 410 (M1)* ③ 1800W ④ 2400H ⑤ Top ⑥ Right ⑦ 4pcs

① Raising and lowering style ② Reference No ③ Manufacturing width (W) ④ Manufacturing height (H)
⑤ Direction ⑥ Ball chain ⑦ Units

*Enter (M1) after the "② Reference No," if fire protection property is required.

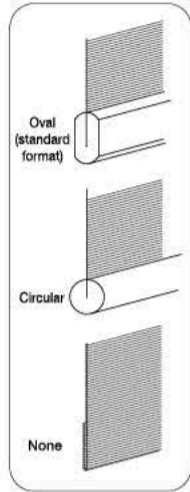
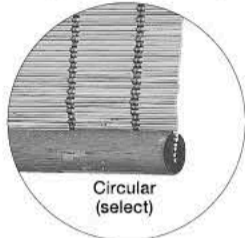
Fixed-type sudare tapestry

Features and structures

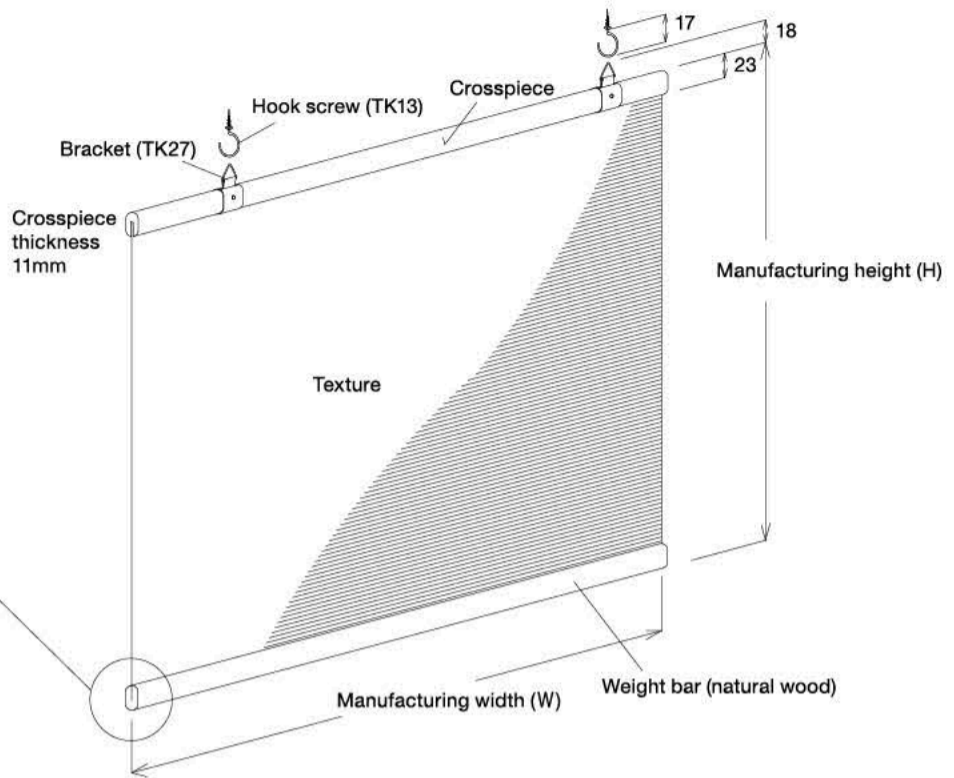
Features

- Hanging sudare screen that does not roll up.
- Weight bar is available in 3 shapes.

Weight bar shape

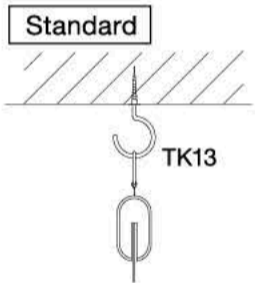


* 3 types to choose from: circular, oval or none.
* Standard format is oval.

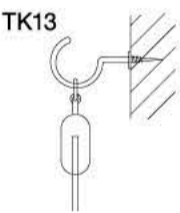


Choose the direction

Top



Face



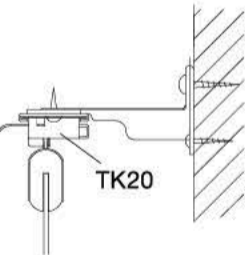
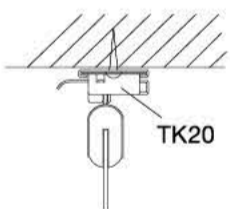
Top



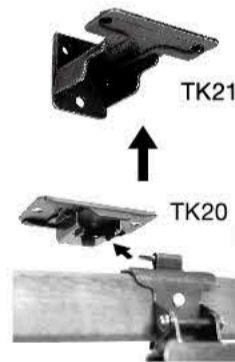
Face



Or
Select



Or
Select

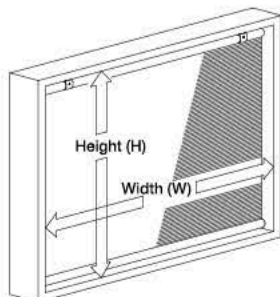


Decide the dimensions

Maximum dimensions: Manufacturing width of 2,400 mm, manufacturing height of 2,500 mm.
Order sizes in 10 mm increments.

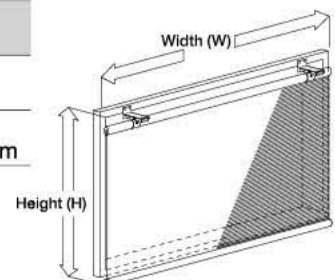
Top

Mounting metal	Item	Size
TK13	Manufacturing width(W)	Inner window frame size -10 mm
	Manufacturing height (H)	Inner window frame size -50 mm
TK20	Manufacturing width(W)	Inner window frame size -10 mm
	Manufacturing height (H)	Inner window frame size -30 mm



Face

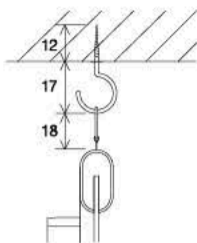
Mounting metal	Item	Size
TK13	Manufacturing width(W)	Inner window frame size
	Manufacturing height (H)	Inner window frame size +20 mm



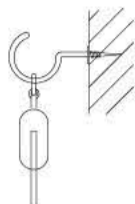
Product specifications

Top

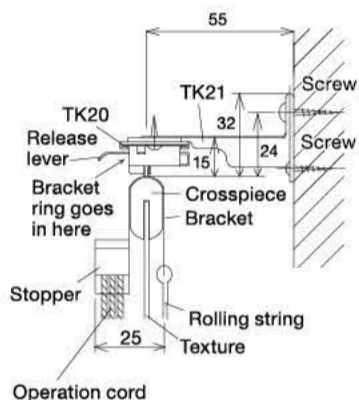
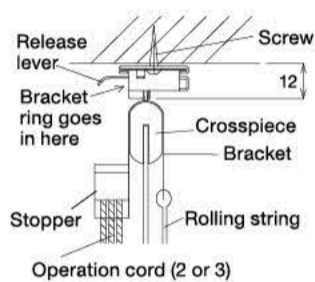
Standard



Face

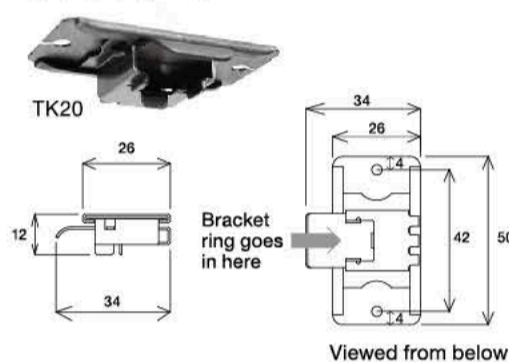


Select



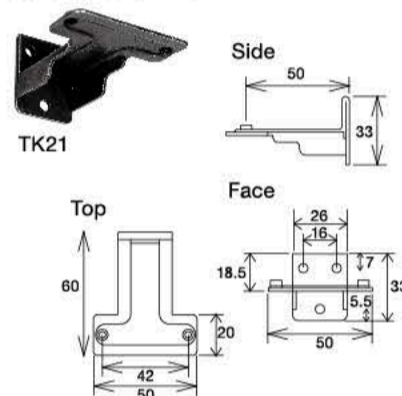
Top

Top bracket (TK20)



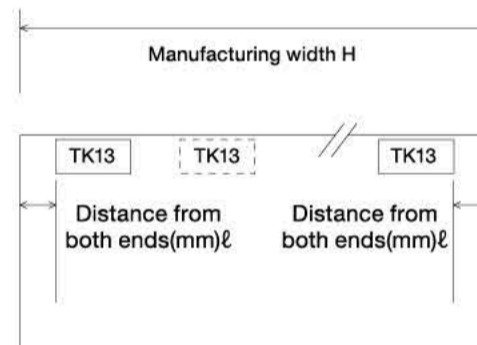
Face

Face bracket (TK21)

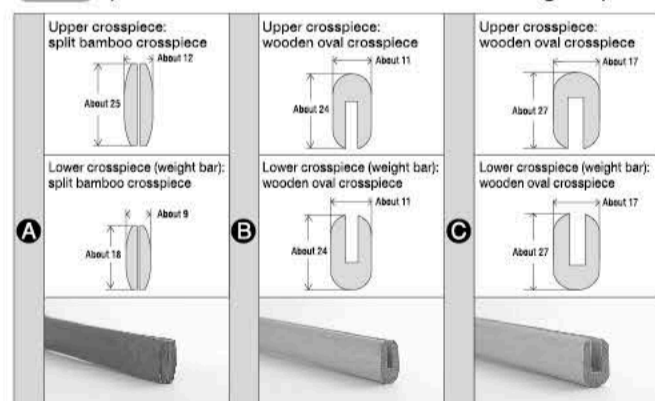


Quantity of mounting metals

Manufacturing width (mm) H	Up to 600	Up to 700	Up to 800	Up to 900	Up to 1000	Up to 1300	Up to 2000	Up to 2400	
Distance from both ends (mm) ℓ	100	120	130	140	160	180			
Top installation (standard)	TK13	2				3		4	
Top installation (selected)	TK20	2				3		4	
Face installation	TK20	2				3		4	
	TK21	2				3		4	



YSS Specifications of upper and lower crosspieces (bamboo and wood) (combined with the cross-section diagram)



501, 508, 509 504, 505 507

How to order

How to fill out an order

☉ Download the order sheet from our website, and email it to us.

<https://shikada.co.jp/en/dl> intl@shikada.co.jp

Example

① SS ② 410 (M1)* ③ 1800W ④ 2400H ⑤ Top ⑥ Right ⑦ 4pcs

① Raising and lowering style ② Reference No ③ Manufacturing width (W) ④ Manufacturing height (H)
⑤ Direction ⑥ Ball chain ⑦ Units

*Enter (M1) after the "② Reference No.," if fire protection property is required.

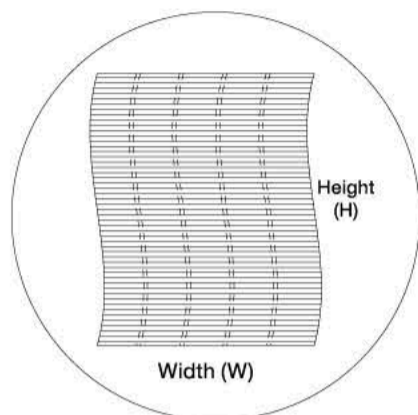


Texture

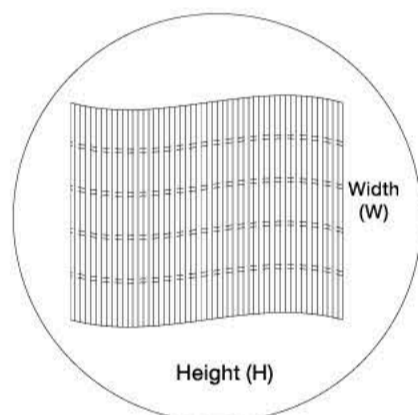
Features and structures

Features

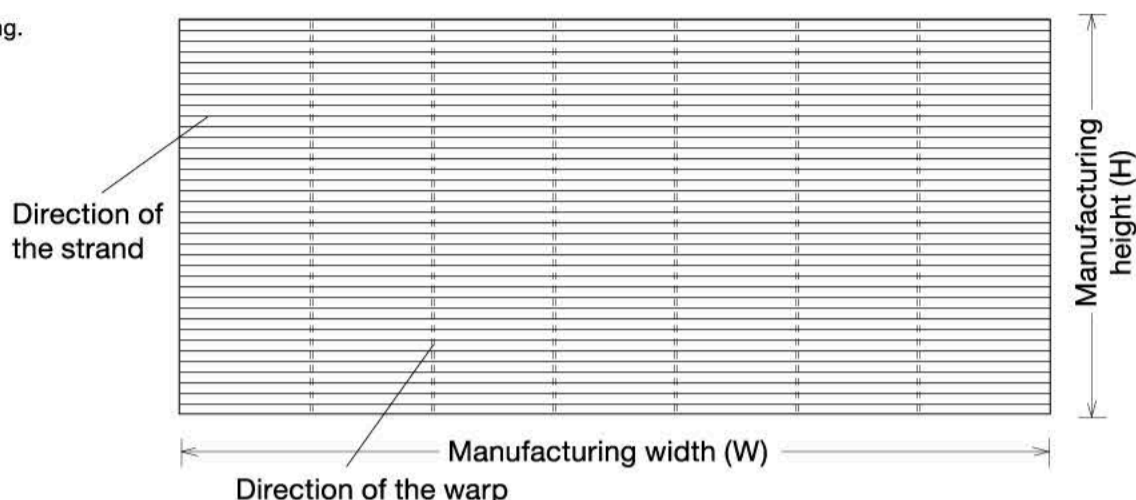
- Use as texture for decorations and processing.
- We also have texture rolls for sale.
We will create an estimate separately.



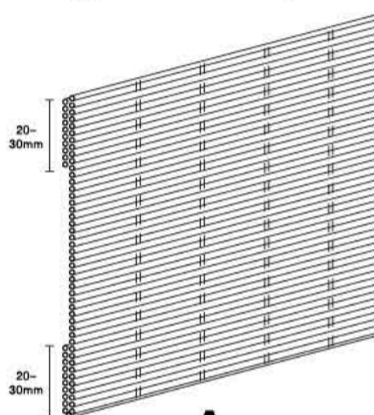
Horizontal hanging



Vertical hanging



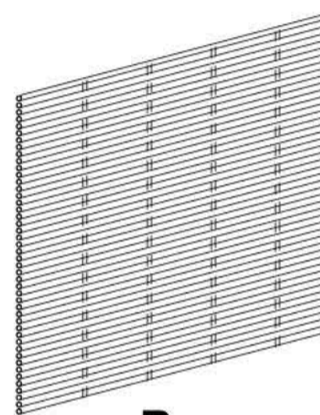
Finish of the upper and lower part of the screen



A

[A folded and glued finish]

Both edges of the screen are folded and glued into place.
Folded width: 20-30mm (varies by screen)



B

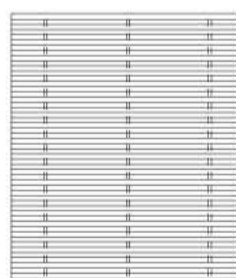
[Glued-warp finish]

The warp is glued together and cut to prevent coming undone.

Decide the dimensions

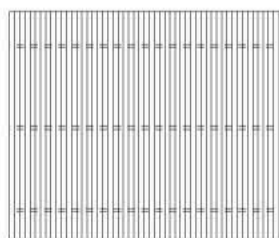
*** If you are cutting the screen yourself, make sure to use the glue to keep the warp in and around the cutting line in place before cutting, so that the warp does not come undone.**

Horizontal hanging



Width (W)

Vertical hanging



Height (H)

Even if you are hanging the screen vertically, make sure to order the dimension, in the width x height order.

◎ Width and height can be manufactured in 5 mm increments for only texture. (For some texture, it may not be possible to adjust the size by 5 mm increments. The finished product height may slightly vary from the intended height.)

How to order

How to fill out an order

◎ Download the order sheet from our website, and email it to us.

<https://shikada.co.jp/en/dl> intl@shikada.co.jp

Example

① **SS** ② **410 (M1)*** ③ **1800W** ④ **2400H** ⑤ **—** ⑥ **—** ⑦ **4pcs**

① Raising and lowering style ② Reference No ③ Manufacturing width (W) ④ Manufacturing height (H)
⑤ Direction ⑥ Ball chain ⑦ Units

*Enter (M1) after the "② Reference No," if fire protection property is required.

Maintenance

- Remove the dust on the rungs with a soft brush (clothes brush) or a vacuum cleaner. Dust accumulation can cause mold.

If mold develops

- Mold tends to grow when humidity and temperature reach a certain level and can be prevented with sufficient ventilation. Not letting molds grow is important to ensure the sudare screens last a long time. If mold does develop, follow the steps below.

1. Dry the screen well under the sun.
2. Remove the mold thoroughly with a brush and wipe well with a soft cloth.
3. Spray with a commercial antifungal/mold-busting spray and dry well.

If the screen (sudare) begins to get distorted or twisted

For twists Fig. 19

- (1) As shown below, lightly roll up the screen with both your hands, from the bottom (weight bar) up.

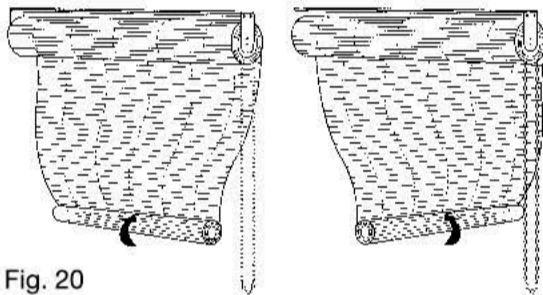


Fig. 20

- (2) As shown below, twist strongly.

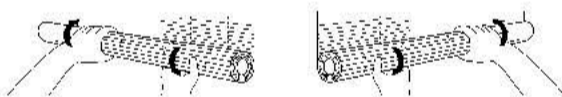
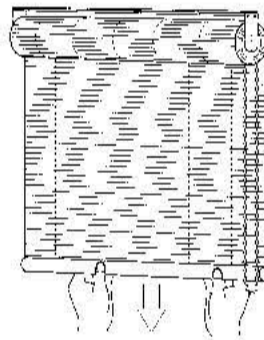


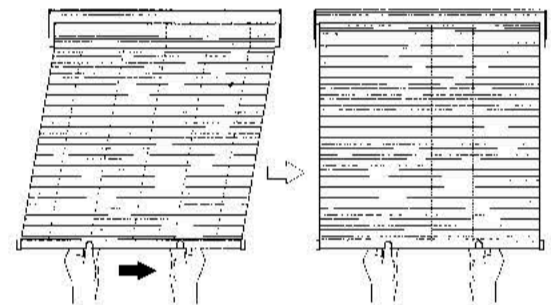
Fig. 21

- (3) Roll down the screen and pull the weight bar lightly downward.



For distortions Fig. 22

- Press the screen lightly and adjust so that it will be aligned vertically.



*If this does not fix the twisting in one go, repeat steps (1), (2) and (3).

Caution



Warning

- The screws in the package for the bracket are for a wooden base. Do not use the screws on a non-wood base (such as concrete).
- Do not take the mechanism apart.



Warning

- This product is for indoor use. Do not use it outdoors.
- Keep away from humid places. Humidity could cause mold and rust.
- This product may contain thorns. Do not stroke sideways when cleaning.



Notes

- This product may vary in size from product to product as it is made of natural materials. Furthermore, mold and rust do not indicate a defect.
- The joints and color tones also vary slightly from product to product.
- The height and width may change with temperature and humidity.

Order Form for our catalogs and samples

Fill out this form and send it to us please, to order our catalogs and samples.

The shipping is at your cost. We'll you choose the more economical shipping way (EMS or TNT)

The samples of textures are also at your cost, if you are neither an architect nor an interior designer and order more than one sample. 4000JPY/pcs (excluding tax)

Payment method: T/T(Bank transfer) or Paypal

Ship to YOU		Ship to your STAKEHOLDER	
company name	<input type="text"/>	company name	<input type="text"/>
your section	<input type="text"/>	your section	<input type="text"/>
your name	<input type="text"/>	your name	<input type="text"/>
address	<input type="text"/>	address	<input type="text"/>
TEL	<input type="text"/>	TEL	<input type="text"/>
E-MAIL	<input type="text"/>	E-MAIL	<input type="text"/>
category number	<input type="text"/>	category number	<input type="text"/>

category number

"1 architect 2 interior designer 3 general contractor 4 interior finishing 5 construction site 6 restaurant 7 hotel 8 retail shop 9 individual 10 concept shop 11 furniture store 12 interior trading company 13 other trading company 14 others"

Catalogs and samples Fill in the forms with the quantity

- ① **Shikisai (四季彩)** brochure & catalog (in english)
 samples of textures (in japanese)

- ② **Manyo (万葉)** brochure & catalog (in english)

- ③ **Rin** Sudare furniture (in japanese)

- ④ **Ever Grace** rattan furniture catalog (in japanese)

YOU STAKEHOLDER

<input type="text"/>	pcs	<input type="text"/>	pcs
<input type="text"/>	pcs	<input type="text"/>	pcs
<input type="text"/>	pcs	<input type="text"/>	pcs
<input type="text"/>	pcs	<input type="text"/>	pcs
<input type="text"/>	pcs	<input type="text"/>	pcs
<input type="text"/>		JPY	

Total fee (estimate by EMS)

The following procedure

- Please send us this form
 • e-mail intl@shikada.co.jp • FAX +81-943-32-3500
- We'll notice you the final price (economical shipping costs and samples) and our remittance account by e-mail.
- You pay in JPY.
- We ship you the goods which you've ordered.

Remarks Please notice us the informations of your actual or future projects